



f Cutter

Smart Paper Cutter

- Sturdy cast iron frame
- Most of controlling can be done on the 7" LCD touch screen
- Fast and convenient cutting is available by intelligent control program
- Process move, copy and backup are available through external memory.
- Programs which are needed for machine control can be upgraded easily
- Advanced user interface provides easy view and easy to use.
- Important variables are protected by password.
- The parameter value is saved by factory setting. Therefore the system can be restored from error which is caused by misuse of user.
- Control program upgrade



F 570



c 780



c 860



c 1160



c 1370



c 1580



f Cutter

Smart Paper Cutter

The powerful cutting force of electrical clutch

- The electrical clutch as Large format paper cutter.
- More powerful than hydraulic knife type.

AC Servo motor, Linear guide

MPG (Micro-adjusting) Hand wheel

Hydraulic clamp system

Heavy-duty sturdy machine frame

Knife overrun prevention device

The maximum Cutting opening is 120mm.

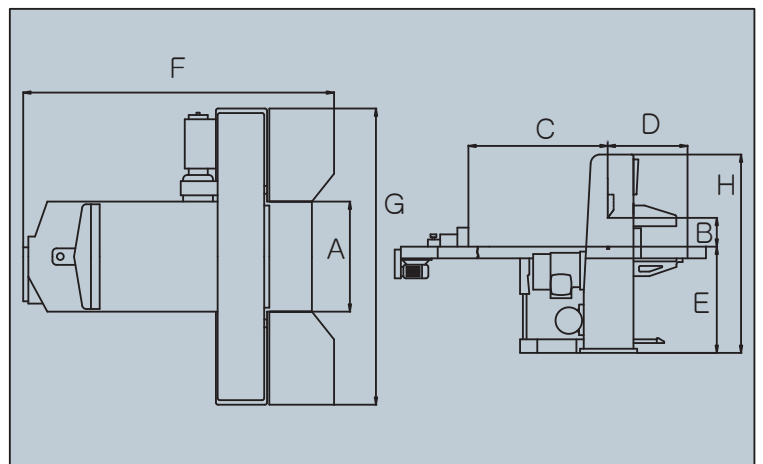
Manual / Automatic mode

Ezf module



DAEHO f-570 Specification

Model	f-570
A Cutting width	570 mm
B Cutting opening	120 mm
C Feed depth (Min)	15 mm
Feed depth (Max)	570 mm
D Front table length	450 mm
E Table height	865 mm
F Machine length	1,300 mm
G Machine width	1,180 mm
H Machine height	1,390mm
Clamp Pressure	150~1,500 kg
Main motor power	1.5 kw
Machine weight	1,000kg
Voltage	3P x 380V / 3P x 220V



※ Subject to change and improvement without notice