

DAEHO

CUTTING IS SCIENCE & PRECISION

Made in Korea, since 1986



DAEHO Cutting systems

Paper Cutter, Stack lift, Paper Jogger, Unloader





High speed cutter i 1160.
- Large side table (option)

i-Cutter

Intelligent paper cutter for CIP4



- Support CIP3 and CIP4 standard (HP SmartStream Partner)
- Automatic generation of Optimal cutting sequence with JDF or PPF
- Wide touch screen (18.5" or 15")
- Visual display for backgauge, paper stock and its alignment
- Block programming
- Advanced User Interface
- Network support
- Black box function (Machine log auto saved)
- Precise backgauge positioning
- Heavy duty frame and construction
- Available sizes : 570mm, 780mm, 860mm, 1160mm, 1370mm, 1580mm, 1800mm, 2100mm, 2600mm, 2800mm, 3100mm, 3600mm 외



i 570



i 780



i 860



i 1160

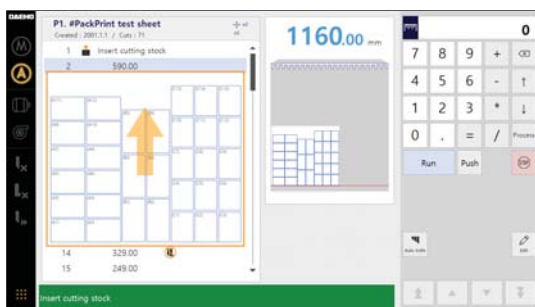


i 1370



i 1580

CIP4 Cutting with Digital Printing Machine



CIP3 & CIP4 Supports

- iCutter provides the platform for CIP3 and CIP4 integration.
- The machine can browse PPF or JDF files on the screen and generate optimal cutting procedures in a few seconds.
- All platform is integrated on the iCutter, so additional PCs or devices are not required.

Block Programming

- With iCutter Block Programming, operator can easily divide parent paper to small blocks.
- Only input the paper size.
- Then machine calculates optimal layouts, creates the best cutting procedure and show the graphical visualisation.

Safety system

For User's safety, machines are designed to meet European safety standard and are certified CE by TUV.

Powerful electromagnetic clutch

- Powerful DC Electro Magnet
- Flywheel's drive force is transferred to perfect cutting force
- Maintenance is easy even when using for a long time.
- No slip due to leakage of hydraulic clutch

- Safety bolt**
- Heavy-duty sturdy machine frame**
- AC Servomotor, Ball Screw and LM guide**
- MPG (micro-adjusting) Handwheel**
- Hydraulic system**
- Oil free system**
- Motor overload protection device**
- Pre-installed flywheel**
- Emergency stop button**
- Knife overrun prevention device**
- Safety cover**



High speed cutter i-780 for digital print



High speed cutter i-1370 for paper company



c-Cutter

Computer Programmable Paper cutter

- Check machine in-output through 10" LCD touch screen
- Advanced User interface provides easy view and easy to use
- Important variables are protected by password.
- All basic functions which are required in cutting
- Memory capability : 1000 processes 1000 steps
- Error number display function
- Macro auto input function
- Black box function (Machine log auto saved)
- Heavy duty frame and construction
- Available sizes : 570mm, 780mm, 860mm, 1160mm, 1370mm, 1580mm and more.



c 570



c 780



c 860



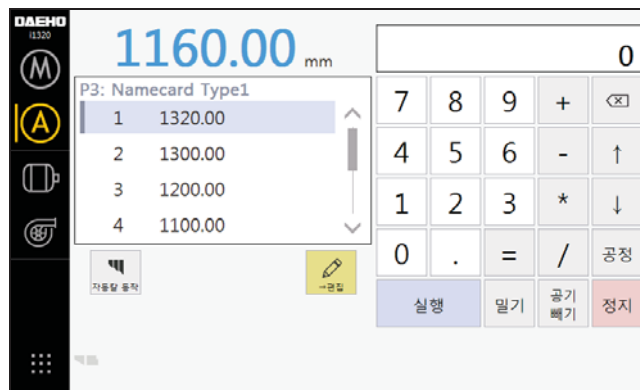
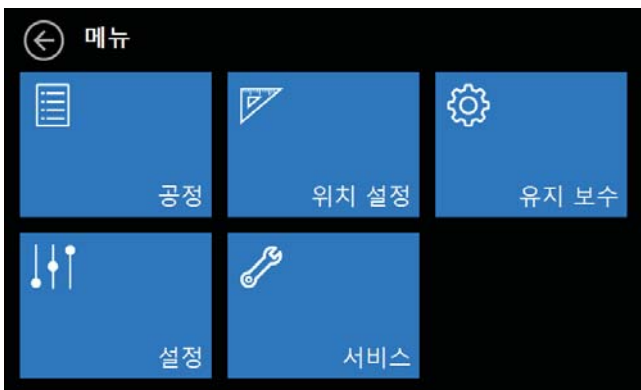
c 1160



c 1370



c 1580



Full Touch screen control system

- Convenient touch screen like smart phone
- Various functions such as machine setting, maintenance management, etc. can be used conveniently.
- Uses durable touch screen to solve durability problems of conventional mechanical buttons.

Easy and convenient operation

- It is convenient to check cutting step by process.
- Simple automatic / manual mode conversion
- Can be cut by calculation formula in manual mode

Safety system

- For User's safety, machines are designed for Koorean safety standard and are certified KCs by KOSHA, Korea.



Safety bolt

- Safety bolt is applied in order to protect important parts of machine from the mechanical overload due to the excessively hard or tough material to cut.



Heavy-duty sturdy machine frame

- Heavy duty casting-iron construction in one piece, double crank system for knife empowers the cutting to be more powerful and more precise.

MPG (micro-adjusting) Handwheel

- The electronic pulse handle ensures the control of smooth and easy backgauge with precise positioning and freely adjustable feeding speed

- Heavy-duty sturdy machine frame
- AC Servomotor, Ball Screw and LM guide
- MPG (micro-adjusting) Handwheel
- Hydraulic system
- Oil free system
- Motor overload protection device
- Pre-installed flywheel
- Emergency stop button
- Knife overrun prevention device
- Safety cover



AC Servomotor, Ball Screw and LM guide

- The backgauge is driven by AC Servomotor with the LM guide resulting in a precise and smooth backgauge positioning control system at all speeds



High speed cutter c-1580
- Large side table (option)



High speed cutter c-860



Large format paper cutter i-3600

L-Cutter

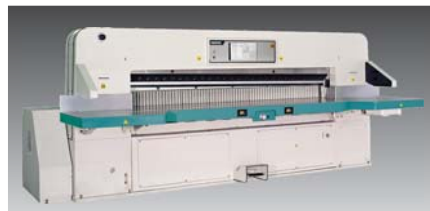
Large format paper cutter



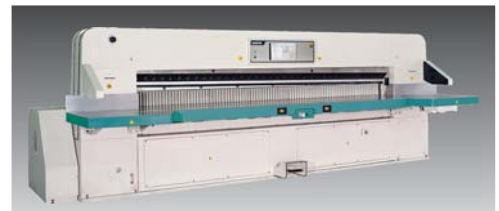
- Support CIP3 and CIP4 standard (HP SmartStream Partner)
- Automatic generation of optimal cutting sequence with JDF or PPF
- 18.5" Wide touch screen
- Visual display for backgauge, paper stock and its alignment
- Block programming
- Advanced User Interface
- Network support
- Precise backgauge positioning
- Available sizes : 1800mm, 2100mm, 2600mm, 2800mm, 3200mm, 3600mm and more



i 2100



i 2800



i 3600



Smart paper cutter i 570

The same structure as the large cutter
Hydraulic clamping system
Clutch system knife operation

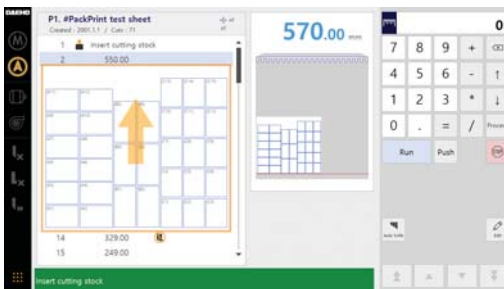
- Model : i-570 & c-570
- For Copy center, small-scale POD and office
- Slim size allows installation in tight spaces
- Innovative user interface for beginners
- Use of 3-phase power 220v / 380v, strong cutting force
- Easy operation with touch screen

CIP3 & CIP4 Supports

- iCutter 570 only

Compact Cutter 570

Smart Paper cutter



Smart paper cutter i 570

The powerful cutting force with electrical clutch

- The electrical clutch as Large format paper cutter.
- More powerful than hydraulic knife type.
- Stronger cutting power than other compact cutters

Easy to use with touch screen

- Easy and convenient machine operation
- Various functions can be used easily.



Smart paper cutter c 570

Black box function

- The status of the machine is automatically saved.
- It is possible to respond quickly when a problem occurs.

Sturdy cast iron frame

- The same structure as the large cutter
- Application of casting frame of large cutting machine

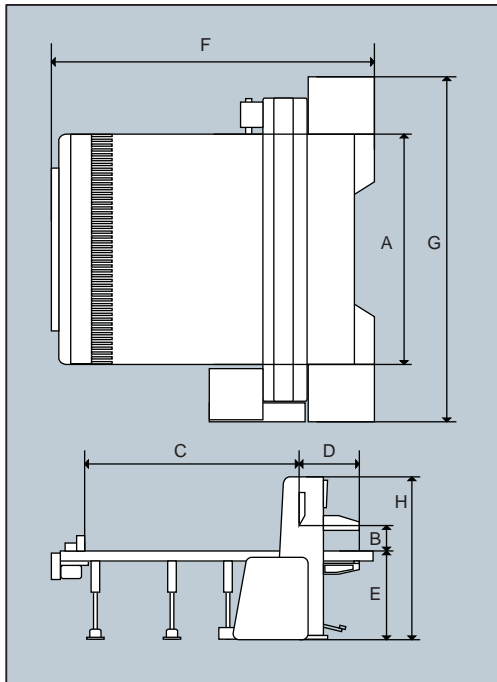
Maximum cutting height 120 mm

- Quickly cut large quantities at once

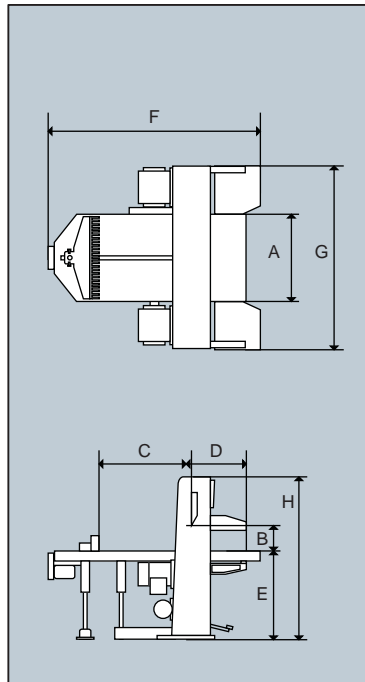
SPECIFICATION

MODEL		3600	3200	2800	2600	2100	1800	1580	1370	1160	860	780	570		
A	Cutting width	mm	3600	3200	2800	2600	2100	1800	1580	1370	1160	860	780	570	
B	Cutting opening	mm	165	165	165	165	165	165	165	165	165	155	140	120	
C	Cutting depth	Max	mm	3600	3200	2800	2600	2100	1800	1580	1370	1160	860	780	570
		Min	mm	50	50	50	50	50	40	40	38	30	30	30	30
D	Front table length	mm	720	720	720	720	720	720	720	720	720	635	650	500	
E	Table height	mm	900	900	900	900	900	900	900	900	900	865	900	865	
F	Machine length	mm	5110	4710	4310	4110	3610	3310	3210	2865	2655	2035	1920	1300	
G	Machine width	mm	5230	4830	4430	4230	3730	3430	3140	2630	2420	1990	1640	1180	
H	Machine height	mm	1870	1870	1870	1870	1870	1870	1720	1720	1660	1535	1500	1390	
Cutting speed		rpm	40	40	40	40	40	40	48	48	48	45	45	38	
Power	Motor	kw	11	11	7.5	7.5	7.5	7.5	5.5	3.75	3.75	3.75	2.2	1.5	
	Backgauge	kw	1	1	1	1	1	1	1	1	0.5	0.5	0.5	0.2	
	Air table	kw	1	1	1	1	1	1	0.4	0.4	0.4	0.4	0.2	0.2	
Backgauge speed	High	m/min	10	10	10	10	10	10	20	20	20	20	20	20	
	Low	m/min	1	1	1	1	1	1	1	1	1	1	1	1	
Clamp pressure	Min	kg	200	200	200	200	200	200	200	200	200	200	200	150	
	Max	kg	6500	6500	6500	6500	6500	6500	6500	4500	4500	4500	4500	3000	
Machine weight		kg	16000	14000	12000	10000	8000	7000	5800	5000	4150	2440	2030	1000	

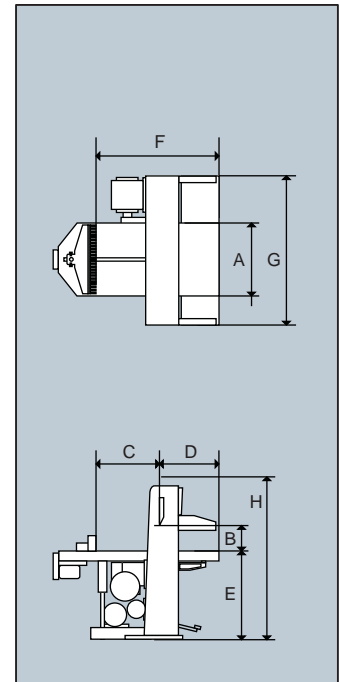
※ Subject to change and improvement without notice



Model : 1800, 2100, 2600, 2800, 3200, 3800



Model : 1160, 1370, 1580



Model : 570, 780, 860

Do you still lift the paper from the pallet on the floor?

Do you still lift the paper from the pallet on the floor and cut it? The operator's back can be injured.

Now use the lift.

If you lift the pallet over the lift, the lift automatically raises the paper as much as the cut. Cutting work becomes much easier.



Stack Lift DLS-1300

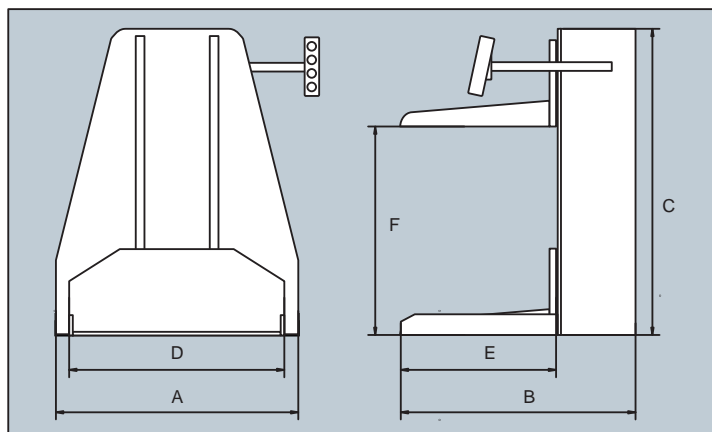
DLS - Paper Lift

DAEHO Stack Lift

- Automatic height control (loading/unloading are available)
- Protect operator and safe descending function
- Safety design conforming European standard
- Selectable between pallet type or fork type (DLS, DLF type)
- Available to use as semi-unloader

SPECIFICATION

Model		DLS-1050	DLS-1300
A Machine width	mm	1190	1440
B Machine length	mm	1120	1370
C Machine height	mm	1506	1506
D Pallet width	mm	1050	1300
E Pallet length	mm	700	950
F Stroke	mm	900	900
Min. loading width	mm	500	500
Max. loading weight	kg	1000	1000
Power	kw	0.8	0.8
Machine weight	kg	620	750



※ Subject to change and improvement without notice



DLS-1350

Do you use a Jogger with air removal function?

Downmarket paper jogger has only jogging function without air squeeze. DAEHO paper jogger squeezes air in the paper block after jogging. In order to increase working efficiency and cutting precision, jogging of cutting material becomes essential equipment for cutting process.

DAEHO's Jogger gives better productivity and precise alignment for cutting job with cutter.

- Pick and trim cut material automatically, so that cutting quality is improved.
- Shorten sorting time and entire process speed can be increased.
- Squeeze function which removes air after sorting. (max. 2 times)
- Set left/right tilt direction and 4 steps of tilting angle.
- Front sensor to protect operator
- DJ-1150NS, DJ-1350NS : Non airremoval function Model

DJ - Paper Jogger

DAEHO Paper Jogger



DJ-1150



DJ-1150-NS



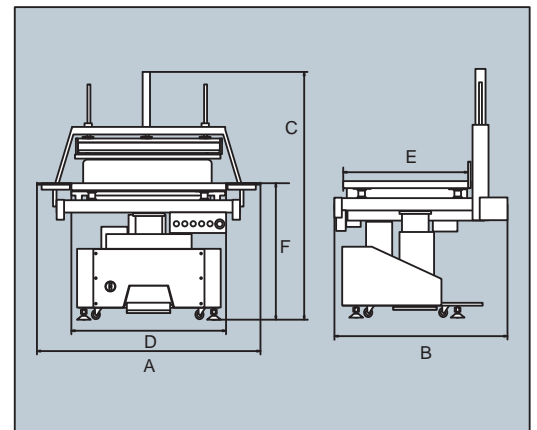
DJ-1350



DJ-1350-NS

SPECIFICATION

MODEL		DJ-1150	DJ-1150-NS	DJ-1350	DJ-1350-NS	
A	Machine width	mm	1530	1530	1750	1750
B	Machine length	mm	1220	1220	1320	1320
C	Machine height	mm	1750	1200	1750	1200
D	Table width	mm	1150	1150	1350	1350
E	Table length	mm	900	900	1000	1000
	Max. Jogging height	mm	165	165	165	165
	Max. Jogging width	mm	1100	1100	1300	1300
	Air removal function		O	X	O	X
	Power	kw	1.5	1.3	2.2	2.0
	Machine weight	kg	600	500	700	600



※ Subject to change and improvement without notice



DTU-1400

DTU - Unloader

DAEHO Paper unloader

- Unloading cut material which cutting has been completed fast and safely.
- Control speed of 2 gears table and feeding table.
- While unloading products, user can do other work.
- Unloading 2 blocks paper at once

Convenient unloading

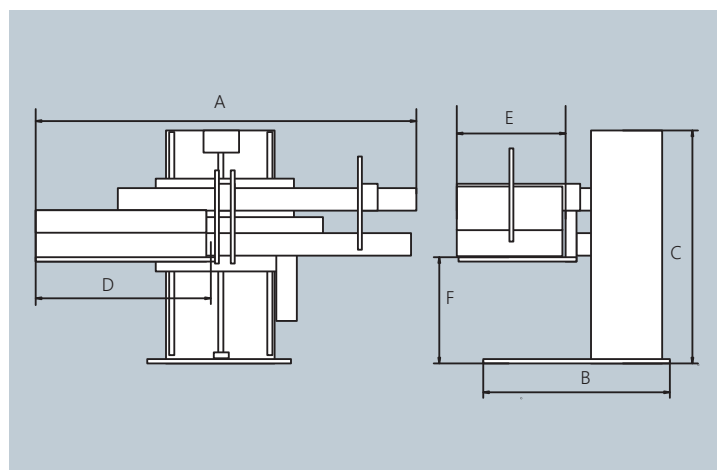
Full unloading operation is done by just one push button and operator can do cutting operation while unloading is going on. DAEHO's unloader gives better productivity and precise alignment for cutting job with cutter.

Are you worried about unloading 2 blocks?

Daehoe Paper unloader can unload more than 2 blocks of cutting material. It is also possible to unload products of different sizes.

SPECIFICATION

Model		DTU-1000	DTU-1400	
A	Machine width	mm	2500	3700
B	Machine length	mm	1650	1900
C	Machine height	mm	1800	2100
D	Table width	mm	1200	1450
E	Table length	mm	800	1000
	Max. Stack height	mm	1300	1600
	Min. unloading width	mm	400	400
	Max. unloading height	mm	165	165
	Max. unloading weight	kg	200	300
	Power	kw	2.4	2.4
	Machine weight	kg	900	1200



※ Subject to change and improvement without notice

